

APPLICATION

Rectifier sandwich plate type UZFC 6 is used to set flow direction on outlet from A to B independent of supply direction on inlet A1, B1. The valves are mounted under flow control valve type UDRD 6 and have the same porting pattern.

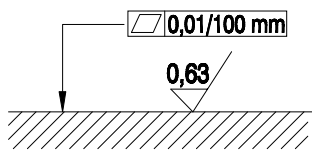
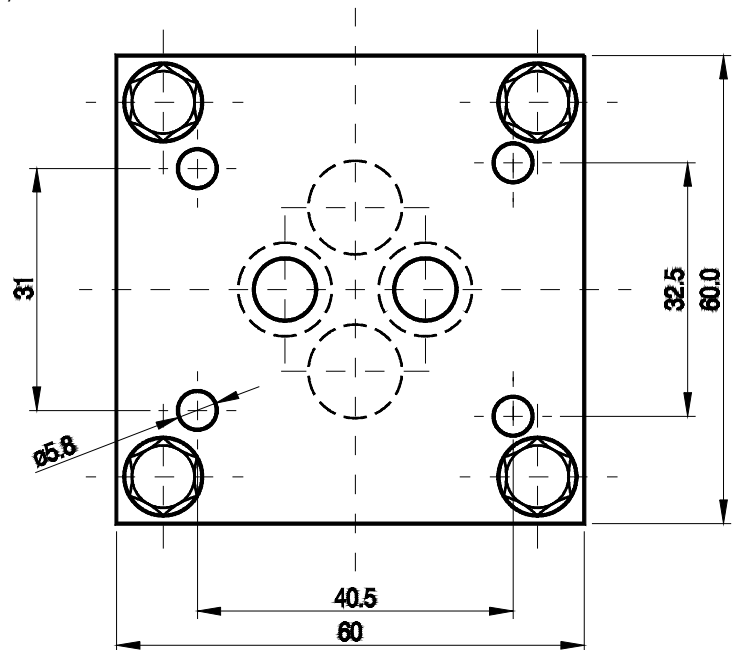
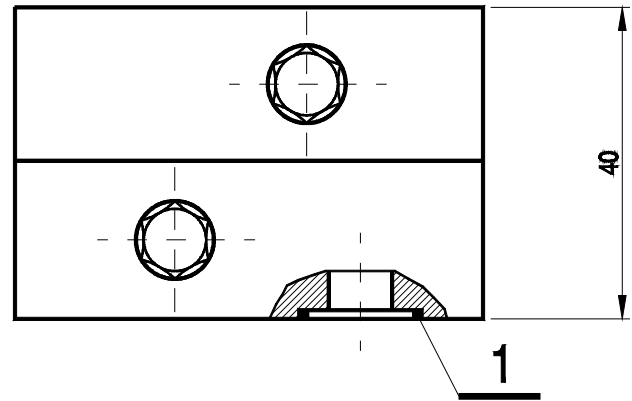
1. - Sealing ring 9,2 x 1,8 - 4 pcs

Valve fixing screw - M5 x 70 - 10.9 to PN-74/M-82302 (DIN 912) - 4 pcs

Tightening torque - 9 Nm.

The screws and subplate should be ordered separately.

OVERALL AND CONNECTION DIMENSIONS

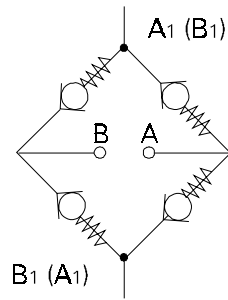


Required surface finish of mating subplate face.

TECHNICAL DATA

Working medium	Mineral oil
Nominal fluid viscosity	37 mm ² /s at temp. 328 K
Viscosity range	2,8 do 380 mm ² /s
Optimum working temperature	313 - 328 K
Fluid temperature range	233 - 343 K
Filtration required	16 μm
Filtration required	10 μm
Cracking pressure	0,07 MPa
Weight	about 0,9 kg

DIAGRAM



HOW TO ORDER

Orders coded as below should be forwarded to the manufacturer.

UZFC	-6	/02		*
------	----	-----	--	---

Rectifier sandwich plate				
Nominal size Size 6	= 6			
Series number 02 (00-09)	= 02 = installation and connection dim. unchanged			
Sealing Rubber	= no code rubber resistant to low temperature (-400C) = NL			
Further requirements in clear text (to agree with the manufacturer)				

Example: UZFC-6/02 NL

PONAR WADOWICE S.A.
ul. Wojska Polskiego 29
34-100 Wadowice
tel. 033/ 823 39 43, 823 30 41
fax 033/ 873 48 80
e-mail: ponar@ponar-wadowice.pl

